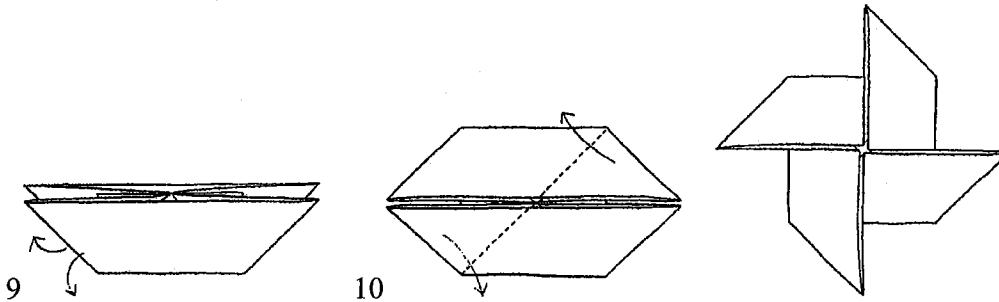


WINDMILL

This windmill actually works. Use it as you would with any other windmill (e.g. pin and a small bead).

9. Open the CATAMARAN.
10. Fold out two opposing ends.



SAILBOAT, TRICK BOAT

11. Fold back the WINDMILL diagonally in half.
12. Fold up the front part to make a hull.
13. Now you have a sailboat.
14. Ask your friend to hold the tip of the sail (X) and close his/her eyes. Pull the hulls down. Now what is he/she holding?

